

Engine	WeiChai WP6G175E201
Gross Power	129 kW (175 hp) @ 2,000 rpm
Net Power	108 kW (147 hp) @ 2,000 rpm
Operating Weight	12,700 kg
Standard Bucket Size	2.3 m ³
Standard Breakout Force	124 kN
Standard Dump Clearance	2,880 mm

842H WHEEL LOADER



TOUGH WORLD. TOUGH EQUIPMENT.

842H SPECIFICATIONS >>>

ENGINE

Emission Regulation	Tire 2 / Stage II
Make	WeiChai
Model	WP6G175E201
Gross Power	129 kW (175 hp) @ 2,000 rpm
Net Power	108 kW (147 hp) @ 2,000 rpm
Peak Torque	810N.m@1400rpm
Displacement	6.75L
Number of Cylinder	6
Aspiration	Turbocharged & Air-to-air intercooled

TRANSMISSION

Transmission Type	Countershaft, power shift
Torque Converter	Single stage, three elements
Maximum Travel Speed, fwd	40 km/h
Maximum Travel Speed, rev	24.8 km/h
Number of Speed, fwd	4
Number of Speed, Rev	3

AXLES

Differential Front Type	Conventional
Differential Rear Type	Conventional
Axle Oscillation	±10.5°

STEERING

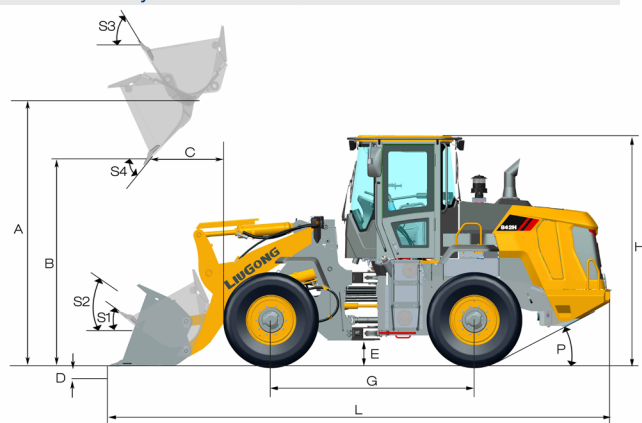
Steering Configuration	Articulated
Steering Relief Pressure	17.2 MPa

BRAKES

Service Brake Type	Caliper discs brake
Service Brake Actuation	Air over hydraulic
Parking Brake Type	Flexible shaft control
Parking Brake Actuation	Mechanical

HYDRAULIC SYSTEM

Main Pump Type	Gear
Main Relief Pressure	19 MPa
Raise	5.4 s
Dump Time	1.0 s
Float Down Time	3.0 s
Fastest Total Cycle Time	9.4 s



LOADER ARM PERFORMANCE

Tipping Load - Straight	10,000 kg
Tipping Load - Full Turn	8,200 kg
Bucket Breakout Force	124 kN
A Maximum Hinge Pin Height	3,804 mm
B Dump Clearance at Full Height Discharge	2,880 mm
C Dump Reach at Full Height Discharge	1,108 mm
D Maximum Digging Depth, Bucket Level	46 mm
S ₁ Rollback at Ground Level	42°
S ₂ Bucket Rollback at Carry	48°
S ₃ Bucket Rollback at Maximum Height	61°
S ₄ Maximum Dump Angle at Full Height	45°

BUCKET PERFORMANCE

Reference Bucket	1.8-4.0 m ³
------------------	------------------------

DIMENSIONS

E Ground Clearance	384 mm
G Wheelbase	3,000 mm
H Cab Height	3,300 mm
J Wheel Tread	1,950 mm
K Width Over Tires	2,480 mm
L Length with Bucket Down	7,572 mm
M Turn Angle, Either Side	40°
P Rear Angle of Departure	28°
R ₁ Turning Radius, Bucket Carry	5,951mm
R ₂ Turning Radius, Outside of Tire	5,393 mm

TIRES

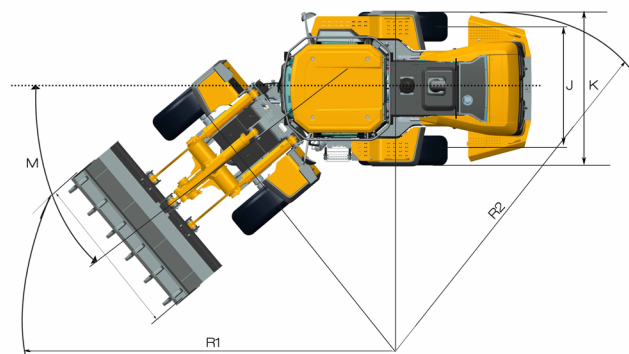
Tire Size	20.5 - 25
-----------	-----------

OPERATING WEIGHTS

Operating Weight	12,700 kg
------------------	-----------

SERVICE CAPACITY

Fuel Tank	190 L
Engine Oil	18 L
Cooling System	40 L
Hydraulic System	115 L
Transmission and Torque Converter	35 L
Axles, Each	22 L



Guangxi Liugong Machinery Co., Ltd.

No. 1 Liutai Road, Liuzhou, Guangxi 545007, PR China

T: +86 772 3886124

E: overseas@liugong.com

www.liugong.com

Specifications and designs are subject to change without notice. Machines shown may include optional equipment.

06/2017 Designed by LiuGong